



YX3 *SERIES*
HIGH-EFFICIENCY THREE-PHASE INDUCTION MOTORS



YX3系列高效三相异步电动机

YX3 *SERIES*

江苏大中电机股份有限公司
Jiangsu DaZhong Electric Motor Co.,Ltd.



Brief Introduction

江苏大中电机股份有限公司(简称大中电机)是一家具有现代化生产规模的综合性电机制造企业,位于经济发达的长江三角地区——江苏省靖江市,京沪高速、宁通高速、新长铁路贯穿而过,距上海、南京均1.5小时车程,交通十分便利。

多年来,公司一贯坚持“以人为本、科技创新、强化品牌意识、奋力开拓国际市场”为原则,使企业规模及综合经济效益居全国同行业前列。

大中电机坚持管理创新,不断深化企业内部管理,于1996年在同行业中率先通过了ISO9001国际质量体系认证;于1999年获得进出口自营权,是中石化资源市场成员单位、中国船舶行业协会联营企业、连续十八年被认定“重合同、守信用”企业,是江苏省“质量兴企、争创名牌”示范企业。2004年被国家科技部命名为“全国微特电机产业基地”。“大中牌”电机先后被评为“江苏省名牌产品”、“中国电机公认十佳畅销品牌”、“江苏省用户满意产品”、“江苏省质量诚信企业”、“国家质量免检产品”、“中国名牌产品”,是中国电器工业协会推荐产品。产品畅销全国二十多个省、市、自治区,并远销欧、美等三十多个国家和地区,深受用户的好评。

大中电机坚持“发展科技拓市场、强化质量铸品牌、严格管理增效益、诚信为本誉天下”的工厂方针,发扬“诚信、团结、敬业、创新”的企业精神,竭诚为各行各业广大用户提供优质的产品和满意的服务。

大中电机全体员工正努力将大中品牌发展成为国际知名品牌!

Jiangsu Dazhong Electric Motors Co., Ltd (Dazhong Electric Motors) is a comprehensive electric motors manufacturing enterprise with modernized scale. It locates in the developed Yangtse River of economy triangle area- Jingjiang city of Jiangsu Province. It enjoys very convenient transportation which the Beijing-Shanghai Express highway, Nanjing-Nantong Express highway, Xing-Chang railway penetrate through it, and only one and a half hours' journey by car to Shanghai or Nanjing.

For many years, our company constantly insists on the principle of “people oriented, science and technology innovation, consolidation of brand awareness and sparing no effort to open up international market”, which made our scale & integrated economy benefit the top of the same industry in China.

Dazhong Electric Motors persevere in the innovation of management, and continuously deepen enterprise inside administration. In 1996, we took the lead to approve the ISO9001 international quality system attestation in same industry; We obtained the Import and export self-runs right in 1999, also the members of Chinese petroleum and chemical resource market and Chinese ship industry association enterprise; we were assessed the enterprise of “honoring contracts and standing by reputation” during the consecutive 18 years, and the model of “enterprise development by quality, competition for world-famous brand” of Jiangsu Province. Our company was named “Chinese Tiny exceptional electric motors industry base” by the Ministry of Chinese Science & Technology in 2004. “Dazhong brand” Electric Motors were successively assessed “amous-brand product in Jiangsu Province”; “Chinese electric motors ten universally accepted best-selling nice brands”; “Satisfied product of consumer in Jiangsu Province”; “Quality creditable enterprise in Jiangsu Province”; “Quality inspection-free products in China” & “Famous-brand product in China”, it is the recommended product by the Chinese electrical industry association. Our products are well sold in more than 20 provinces, cities, autonomous regions in China, as well as over 30 countries and regions such as Europe, USA etc and win the satisfaction of all our customers.

Dazhong Electric Motors follow the guidelines of “Expand the market by developing Science & Technology”; “Create brand by improving quality”; “Win the reputation by credit”, and will develop enterprise spirit of “credit, solidification, innovation” to provide the good quality products and high grade service for all the customers sincerely.

All the Dazhong Electric Motors staffs are working hard to develop the Dazhong brand to the world-famous brand!

YX3 系列高效电机

YX3 Series High Performance Motor

YX3系列高效标准三相异步电动机是采用新材料、新工艺和优化设计而制造的全封闭、自扇冷鼠笼三相异步电动机。是新一代节能电动机。

YX3系列电动机中心从H80-H355, 功率从0.55kw-315kw, 极数为2、4、6、8极。

YX3系列电机防护等级为IP55, 冷却方式IC411, 安装尺寸符合IEC标准。额定电压为380V, 额定频率50Hz。工作环境温度不超过40℃, 海拔不超过1000米。工作方式: 连续(S1)。

YX3系列节能型三相异步电动机具有效率高, 起动转矩大, 噪声低, 结构更加合理。冷却散热条件成熟, 本系列电动机为一般用途的三相异步电动机, 可用于驱动各种通用机械设备, 如压缩机、风机、水泵等机械设备, 也可在石油、化工、医药、矿山及其它(如环境使用条件特殊, 请与设计人员联系)。

本系列电动机安装方式、轴承、接线盒、安装尺寸、外形尺寸等同Y2系列三相异步电动机。

The YX3 series high efficiency standard three phase induction motors are totally enclosed fan cooled squirrel cage motors that are manufactured with new material and technology. It is a new generation motor and can save energy.

YX3 series motors center height: H80-H355, Output: 0.55kw, pole: 2, 4, 6, 8. Degree of protection: IP55, cooling method: IC411, Mounting dimensions conform to IEC standard. Rated voltage: 380V, Rated frequency: 50Hz, Ambient temperature: 40℃ max, Altitude: 1000m, Duty: continuous (S1).

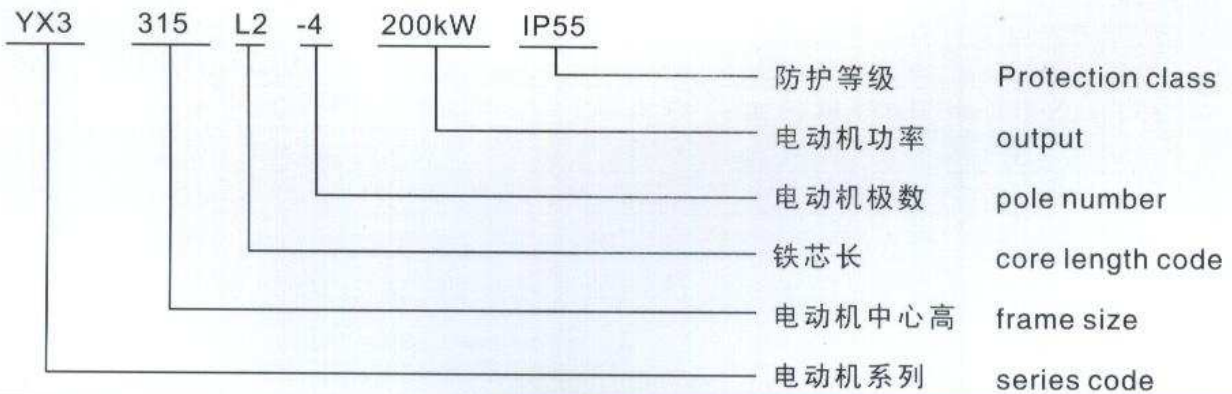
YX3 series high efficiency three phase induction motors have some notable advantages such as high efficiency, good starting performance, low noise, improved structure, improved cooling capabilities. This series motors are three phase induction motors which be used for general motors and can be used to drive all kinds of general purpose machines such as compressors, ventilators, pumps, etc. Other uses such as petrol chemical, medical, chemical industries and mining. For special requirements please contact our sales department.

YX3 series motors are equal with Y2 series three phase induction motors in dimensions.

型号含义

Meaning of type code

产品型号按下列顺序排列:



公司资质

Company's Aptitude



中国名牌产品证书
根据中国名牌战略推进委员会评价结果, 授予江苏大中电机股份有限公司生产的02牌660v及以下中小型电机为:

中国名牌产品

有效期至: 二〇〇九年九月至二〇一〇年九月





效率对比表

EFFICIENCY CHECK list

效率对比表(EFFICIENCY CHECK list)

功率 Power kW	2极 Poles				4极 Poles				6极 Poles				8极 Poles			
	Y2	IE2	Eff1	YX3	Y2	IE2	Eff1	YX3	Y2	IE2	Eff1	YX3	Y2	IE2	Eff1	YX3
0.55					71.0			80.7	65.0			75.4	63.0			
0.75	75	77.4	80.5	77.5	73.0	79.6	82.2	82.3	69.0	75.9	77.7	77.7	71.0			73.5
1.1	76.2	79.6	82.2	82.8	76.2	81.4	83.8	83.8	72.0	78.1	79.9	79.9	73.0			76.3
1.5	78.5	81.3	84.1	84.1	78.5	82.8	85.0	85.0	76.0	79.8	81.5	81.5	75.0			78.4
2.2	81.0	83.2	85.6	85.6	81.0	84.3	86.4	86.4	79.0	81.8	83.4	83.4	78.0			80.9
3	82.6	84.6	86.7	86.7	82.6	85.5	87.4	87.4	81.0	83.3	84.9	84.9	79.0			82.7
4	84.2	85.8	87.6	87.6	84.2	86.6	88.3	88.3	82.0	84.6	86.1	86.1	81.0			84.2
5.5	85.7	87.0	88.5	88.6	85.7	87.7	89.2	89.2	84.0	86.0	87.4	87.4	83.0			85.8
7.5	87.0	88.1	89.5	89.5	87.0	88.7	90.1	90.1	86.0	87.2	88.5	89.0	85.5			87.2
11	88.4	89.4	90.6	90.5	88.4	89.8	91.0	91.0	87.5	88.7	89.8	90.0	87.5			88.8
15	89.4	90.3	91.3	91.3	89.4	90.6	91.8	91.8	89.0	89.7	90.7	91.0	88.0			90.0
18.5	90.0	90.9	91.8	91.8	90.0	91.2	92.2	92.2	90.0	90.4	91.3	91.5	90.0			90.7
22	90.5	91.3	92.2	92.2	90.5	91.6	92.6	92.6	90.0	90.9	91.8	92.0	90.5			91.2
30	91.4	92.0	92.9	92.9	91.4	92.3	93.2	93.2	91.5	91.7	92.5	92.5	91.0			92.1
37	92.0	92.5	93.3	93.3	92.0	92.7	93.6	93.6	92.0	92.2	93.0	93.0	91.5			92.7
45	92.5	92.9	93.7	93.7	92.5	93.1	93.9	93.9	92.5	92.7	93.5	93.5	92.0			93.2
55	93.0	93.2	94.0	94.0	93.0	93.5	94.2	94.2	92.8	93.1	93.9	93.8	92.8			93.7
75	93.6	93.8	94.6	94.6	93.6	94.0	94.7	94.7	93.5	93.7	94.4	94.2	93.0			94.4
90	93.9	94.1	94.8	95.0	93.9	94.2	95.0	95.0	93.8	94.0	94.8	94.5	93.8			94.7
110	94.0	94.3	95.1	95.0	94.5	94.5	95.4	95.3	94.0	94.3	95.1	95.0	94.0			95.1
132	94.5	94.6	95.4	95.4	94.8	94.7	95.4	95.3	94.2	94.6	95.4	95.0	93.7			95.4
160	94.6	94.8	95.5	95.4	94.9	94.9	95.4	95.7	94.5	94.8	95.6	95.0	94.2			95.7
200	94.8	95.0	95.5	95.4	94.9	95.1	95.4	95.7	94.5	95.0	95.6	95.0	94.5			95.7
250	95.2	95.0	95.5	95.8	95.2	95.1	95.8	95.7	94.5	95.0	95.6	95.0				95.7
315	95.4	95.0	95.5	95.8	95.2	95.1	95.8	95.7		95.0	95.6					95.7

安 装 型 式

MOUNTING ARRANGEMENTS

五种基本结构型式

- B3: 机座带底脚, 端盖无凸缘的结构型式。
 B5: 机座不带底脚, 端盖上有凸缘(带通孔)的结构型式。
 B35: 机座带底脚, 端盖上有凸缘(带通孔)的结构型式。
 B34: 机座带底脚, 端盖上有凸缘(带螺孔)的结构型式。
 B14: 机座不带底脚, 端盖上有凸缘(带螺孔)的结构型式。

THERE ARE FIVE BASIC CONSTRUCTIONAL MOUNTING ARRANGEMENTS FOR SERIES Y2 MOTORS:

- B3: FRAME WITH FEET, END BRACKET WITHOUT FLANGE.
 B5: FRAME WITHOUT FEET, END BRACKET WITH FLANGE (WITH HOLES)
 B35: FRAME WITH FEET, END BRACKET WITH FLANGE (WITH HOLES)
 B34: FRAME WITH FEET, END BRACKET WITH FLANGE (WITH SCREW HOLES)
 B14: FRAME WITHOUT FEET, END BRACKET WITH FLANGE (WITH SCREW HOLES)

常用的安装型式, 以及适用的机座号见表2: THE COMMONLY USED MOUNTING ARRANGEMENTS AND THE CORRESPONDING FRAME NUMBERS ARE SHOWN IN TABLE 2:

表2 TABLE 2:

基本结构形式 Basic	B3						B34	B14			B5			B35		
安装形式 Code	B3	B6	B7	B8	V5	V6	B34	B14	V18	B5	V1	V3	B35	V15	V36	
示意图 Sketch																
中心高 Range of frame	80-355	80-160						80-112			80-280	80-355	80-160	80-355	80-160	

轴 承

BEARINGS

电动机轴承号见表3: THE BEARING NO. FOR MOTORS ARE AS SHOWN IN TABLE 3:

表3 TABLE 3:

机座号 Frame No.	轴伸端 Driving end				非轴伸端 Non-driving end				
	2极 2 Poles	4.6.8.10 极 4.6.8.10 Poles		2极 2 Poles	4.6.8.10 极 4.6.8.10 Poles		2极 2 Poles	4.6.8.10 极 4.6.8.10 Poles	
80	6204-2RZ/C3				6204-2RZ/C3				
90	6205-2RZ/C3				6205-2RZ/C3				
100	6206-2RZ/C3				6206-2RZ/C3				
112	6206-2RZ/C3				6206-2RZ/C3				
132	6208-2RZ/C3				6208-2RZ/C3				
160	6309/C3				6309/C3				
180	6311/C3				6311/C3				
200	6312/C3				6312/C3				
225	6312/C3	6313/C3		6312/6313C3					
250	6314/C4	6314/C3		6314/C4	6314/C3		6314/C4	6314/C3	
280	6316/C4	6316/C3		6316/C4	6316/C3		6316/C4	6316/C3	
315	6316/C4	6319/C3		6316/C4	6319/C3		6316/C4	6319/C3	
355	6319/C4	6322/C3		6319/C4	6319/C3		6319/C4	6319/C3	

该系列电动机效率指标符合GB18613-2006《中小型三相异步电动机能效限定值及节能评价》中节能限定值(2级)的规定。

The efficiency index of this series motors confirms to the three level of energy-saving estimate value specified in GB 18613-2002 Medium-and Small-size Three-Phase Induction Motors Restriction Value of Energy Efficiency and Energy-Saving Estimate Value.

振 动

VIBRATION

电动机在空载时测得速度的有效值(即振动烈度限值)不超过表4中所列N级所列数值, 用户提出要求也可制作R.S级。

AT NO LOAD THE r.m.s VALUES OF THE VIBRATION VELOCITY (i.e. THE LIMITS OF VIBRATION SEVERITY) OF MOTORS SHOULD NOT EXCEED THE VALUES OF CLASS N SPECIFIED IN TABLE 4. CLASS R.S IS AVAILABLE ON REQUEST

表4 TABLE 4:

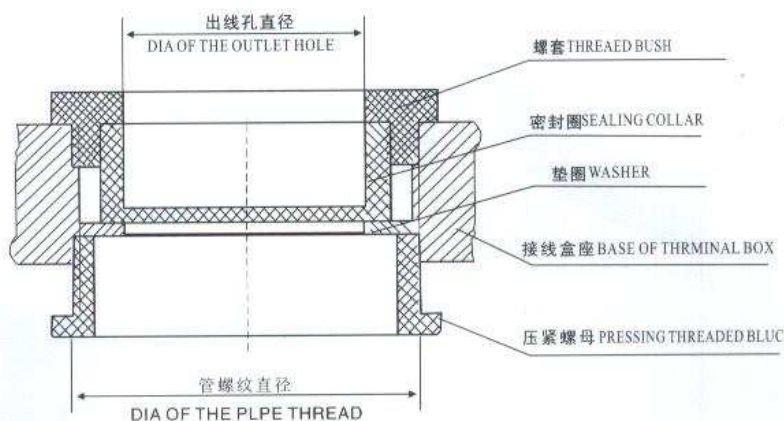
机座号 Frame No.	≤132		>132~225		>225~355	
同步转速r/min Synchronous Speed	600~1800	>1800~3600	600~1800	>1800~3600	600~1800	>1800~3600
振动等级 Class of Vibration	振动速度有效值 mm/s the r.m.s value of the vibration velocity					
N	1.8		2.8		3.5	
R	0.71	1.12	1.12	1.80	1.80	2.80
S	0.45	0.71	0.71	1.12	1.12	1.80

接 线 盒

TERMINAL BOX

从轴伸端视之, 接线盒位于机座顶部, 用户有特殊要求时也可装在左面或右侧。电源电缆从接线盒上的出线孔引出, 在出线口处有密封结构(详见图)。

THE NORMAL POSITION OF THE TERMINAL BOX IS ON THE TOP SIDE WHEN LOOKING AT THE DRIVING END OF THE MOTOR, BUT MAY BE ARRANGED ON THE LEFT-HAND SIDE OR ON THE RIGHT-HAND IF SPECIFIED WHEN ORDERING. THE POWER CABLE CAN BE LED OUT THROUGH THE OUTLET OF THE TERMINAL BOX IN FOUR DIRECTIONS. THERE IS A SEALING CONSTRUCTION AT THE OUTLET (FOR DETAILS, SEE FIGURE)



各种机座号的管螺纹直径和出线孔直径如表5:

THE DIAMETERS OF THE OUTLET HOLES AND THE PIPE THREADS FOR THE FRAME NUMBERS ARE AS SHOWN IN TABLE 5:

表5 TABLE 5:

机座号 Frame No.	管螺纹直径 Dia of the Pipe Thread (mm)	出线孔直径 Dia of the Outlet Hole (mm)
Y2-80	M24×1.5	11
Y2-90-100	M24×1.5	11
Y2-112-132	2-M30×2	15
Y2-160-180	2-M36×2	18
Y2-200-225	2-M48×2	30
Y2-250-280	2-M64×2	50
Y2-315	2-M64×2	50
Y2-355	2-M72×2	61

技术参数 TECHNICAL DATA
SPEED 3000RPM 2-POLE 50HZ

型号 Type	功率 Output		转速 Speed r/min	电流 In A			效率 Efficiency η %		功率因数 Power factor Cos Φ	额定转矩 TN Nm	堵转转矩	最大转矩	堵转电流	惯量 (J) kgm ²	噪声 Noise LwdB(A)	重量 Weight kg
	kW	HP		380V	400V	415V	100%	75%			额定转矩	额定转矩	额定电流			
											Tst TN	Tmax TN	Ist IN			
YX3-80M1-2	0.75	1	2885	1.8	1.7	1.6	77.5	80.33	0.83	2.48	2.3	2.3	6.8	0.0010	62	16
YX3-80M2-2	1.1	1.5	2885	2.4	2.3	2.2	82.8	83.27	0.83	3.64	2.3	2.3	7.3	0.0013	62	17.5
YX3-90S-2	1.5	2	2885	3.2	3.0	2.9	84.1	84.99	0.84	4.96	2.3	2.3	7.6	0.0020	67	23.5
YX3-90L-2	2.2	3	2890	4.6	4.4	4.2	85.6	86.35	0.85	7.27	2.3	2.3	7.8	0.0026	67	28.5
YX3-100L-2	3	4	2895	6.0	5.7	5.5	86.7	87.16	0.87	9.90	2.3	2.3	8.1	0.0042	74	38
YX3-112M-2	4	5.5	2895	7.9	7.5	7.2	87.6	88.80	0.88	13.19	2.3	2.3	8.3	0.0058	77	49
YX3-132S1-2	5.5	7.5	2920	10.7	10.2	9.8	88.6	89.87	0.88	17.89	2.2	2.3	8.0	0.0128	79	63
YX3-132S2-2	7.5	10	2915	14.3	13.6	13.1	89.5	90.29	0.89	24.57	2.2	2.3	7.8	0.0151	79	70
YX3-160M1-2	11	15	2945	20.7	19.7	19.0	90.5	90.66	0.89	35.67	2.2	2.3	7.9	0.0489	81	121
YX3-160M2-2	15	20	2945	28.0	26.7	25.7	91.3	91.64	0.89	48.64	2.2	2.3	8.0	0.0559	81	132
YX3-160L-2	18.5	25	2940	34.4	32.7	31.5	91.8	92.52	0.89	60.09	2.2	2.3	8.1	0.0648	81	138
YX3-180M-2	22	30	2960	40.7	38.7	37.3	92.2	92.40	0.89	70.98	2.2	2.3	8.2	0.0808	83	191
YX3-200L1-2	30	40	2965	55.1	52.3	50.5	92.9	92.95	0.89	96.62	2.2	2.3	7.5	0.163	84	240
YX3-200L2-2	37	50	2965	67.7	64.3	62.0	93.3	93.14	0.89	119.17	2.2	2.3	7.5	0.172	84	257
YX3-225M-2	45	60	2965	82.0	77.9	75.1	93.7	93.53	0.89	144.94	2.2	2.3	7.6	0.302	86	310
YX3-250M-2	55	75	2975	99.9	94.8	91.5	94.0	94.05	0.89	176.55	2.2	2.3	7.6	0.420	89	386
YX3-280S-2	75	100	2980	135.3	128.6	123.9	94.6	94.62	0.89	240.35	2.0	2.3	6.9	0.986	91	505
YX3-280M-2	90	125	2980	161.7	153.6	148.1	95.0	94.75	0.89	288.42	2.0	2.3	7.0	1.04	91	555
YX3-315S-2	110	150	2980	195.5	185.5	178.8	95.0	94.14	0.90	352.51	2.0	2.2	7.1	1.33	92	921
YX3-315M-2	132	180	2980	233.6	221.9	213.9	95.4	94.64	0.90	423.02	2.0	2.2	7.1	1.50	92	959
YX3-315L1-2	160	220	2980	280.0	265.7	256.1	95.4	95.11	0.91	512.75	2.0	2.2	7.1	1.67	92	1088
YX3-315L2-2	200	270	2980	350.0	332.5	320	95.4	95.48	0.91	640.94	2.0	2.2	7.1	1.88	92	1162
YX3-355M-2	250	340	2985	435.7	411	399	95.8	95.21	0.91	799.83	2.0	2.2	7.1	4.02	100	1616
YX3-355L-2	315	430	2985	549.0	515	502.7	95.8	95.54	0.91	1007.79	2.0	2.2	7.1	4.86	100	1806

技术参数 TECHNICAL DATA
SPEED 1500RPM 4-POLE 50HZ

型号 Type	功率 Output		转速 Speed r/min	电流 In A			效率 Efficiency η %		功率因数 Power factor Cos Φ	额定转矩 TN Nm	堵转转矩	最大转矩	堵转电流	惯量 Moment (J) kgm ²	噪声 Noise LwdB(A)	重量 Weight kg
	kW	HP		380V	400V	415V	100%	75%			额定转矩	额定转矩	额定电流			
											Tst TN	Tmax TN	Ist IN			
YX3-80M1-4	0.55	0.75	1435	1.4	1.3	1.3	80.7	81.43	0.75	3.66	2.3	2.3	6.3	0.0016	56	17
YX3-80M2-4	0.75	1	1435	1.8	1.8	1.7	82.3	82.56	0.75	4.99	2.3	2.3	6.5	0.0020	56	18.5
YX3-90S-4	1.1	1.5	1435	2.7	2.5	2.4	83.8	85.31	0.75	7.32	2.3	2.3	6.6	0.0030	59	24
YX3-90L-4	1.5	2	1440	3.6	3.4	3.3	85.0	86.48	0.75	9.95	2.3	2.3	6.9	0.0038	59	29.5
YX3-100L1-4	2.2	3	1455	4.8	4.5	4.4	86.4	86.59	0.81	14.44	2.3	2.3	7.5	0.0077	64	39.5
YX3-100L2-4	3	4	1455	6.4	6.0	5.8	87.4	87.43	0.82	19.69	2.3	2.3	7.6	0.0093	64	43.5
YX3-112M-4	4	5.5	1455	8.4	8.0	7.7	88.3	88.0	0.82	26.25	2.3	2.3	7.7	0.0128	65	52
YX3-132S-4	5.5	7.5	1460	11.4	10.9	10.5	89.2	90.10	0.82	35.98	2.0	2.3	7.5	0.0285	71	66
YX3-132M-4	7.5	10	1460	15.2	14.5	13.9	90.1	90.98	0.83	49.06	2.0	2.3	7.4	0.0366	71	78
YX3-160M-4	11	15	1470	21.6	20.5	19.8	91.0	91.33	0.85	71.46	2.2	2.3	7.5	0.0771	73	122
YX3-160L-4	15	20	1475	28.9	27.4	26.4	91.8	91.98	0.86	97.12	2.2	2.3	7.5	0.101	73	139
YX3-180M-4	18.5	25	1475	35.4	33.7	32.5	92.2	92.64	0.86	119.78	2.2	2.3	7.7	0.152	76	188
YX3-180L-4	22	30	1475	42.0	39.8	38.4	92.6	92.98	0.86	142.44	2.2	2.3	7.8	0.187	76	193
YX3-200L-4	30	40	1480	56.9	54	52.1	93.2	93.42	0.86	193.58	2.2	2.3	7.2	0.285	76	256
YX3-225S-4	37	50	1485	69.8	66.3	63.9	93.6	93.62	0.86	237.95	2.2	2.3	7.3	0.473	78	308
YX3-225M-4	45	60	1485	84.7	80.4	77.5	93.9	94.22	0.86	289.39	2.2	2.3	7.4	0.554	78	337
YX3-250M-4	55	75	1490	103.1	98	94.4	94.2	94.62	0.86	352.50	2.2	2.3	7.4	0.751	79	410
YX3-280S-4	75	100	1490	136.7	129.9	125.2	94.7	94.67	0.88	480.70	2.2	2.3	6.7	1.92	80	581
YX3-280M-4	90	125	1490	163.6	155.4	149.8	95.0	94.97	0.88	576.84	2.2	2.3	6.9	2.32	80	643
YX3-315S-4	110	150	1490	199.1	189.1	182.3	95.4	95.30	0.88	705.03	2.2	2.2	6.9	2.34	88	961
YX3-315M-4	132	180	1490	238.9	226.9	218.7	95.4	95.36	0.88	846.04	2.2	2.2	6.9	2.58	88	999
YX3-315L1-4	160	220	1490	286.3	274.2	261.3	95.4	95.46	0.89	1025.50	2.2	2.2	6.9	2.96	88	1096
YX3-315L2-4	200	270	1490	357.9	342.8	326.7	95.4	95.67	0.89	1281.88	2.2	2.2	6.9	3.46	88	1330
YX3-355M-4	250	340	1490	440.5	418.5	403.4	95.8	95.51	0.90	1602.35	2.2	2.2	6.9	6.60	95	1643
YX3-355L-4	315	430	1490	555.1	527.3	508.3	95.8	95.61	0.90	2018.96	2.2	2.2	6.9	7.55	95	1837

技术参数 TECHNICAL DATA
SPEED 1000RPM 6-POLE 50HZ

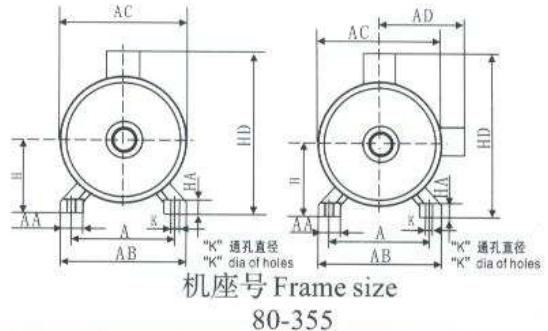
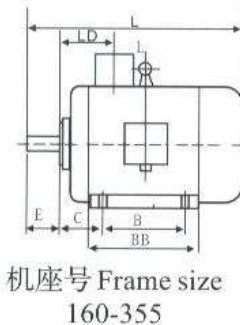
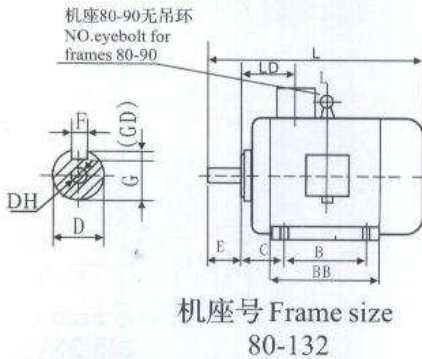
型号 Type	功率 Output		转速 Speed r/min	电流 In A			效率 Efficiency η%		功率因数 Power factor CosΦ	额定转矩 TN Nm	堵转转矩	最大转矩	堵转电流	惯量 Moment (J) kgm ²	噪声 Noise LwdB(A)	重量 Weight kg
	kW	HP		380V	400V	415V	100%	75%			额定转矩	额定转矩	额定电流			
											$\frac{T_{st}}{T_N}$	$\frac{T_{max}}{T_N}$	$\frac{I_{st}}{I_N}$			
YX3-90S-6	0.75	1	950	2.0	1.93	1.86	77.7	78.76	0.72	7.54	2.1	2.1	5.8	0.0038	57	23
YX3-90L-6	1.1	1.5	950	2.9	2.7	2.6	79.9	81.12	0.73	11.06	2.1	2.1	5.9	0.0053	57	28.5
YX3-100L-6	1.5	2	955	3.8	3.6	3.46	81.5	81.56	0.74	15.0	2.1	2.1	6.0	0.0107	61	37.5
YX3-112M-6	2.2	3	955	5.4	5.1	4.96	83.4	85.12	0.74	22.0	2.1	2.1	6.0	0.0151	65	48
YX3-132S-6	3	4	975	7.3	6.9	6.6	84.9	86.49	0.74	29.38	2.0	2.1	6.2	0.0318	69	65
YX3-132M ₁ -6	4	5.5	975	9.5	9.1	8.7	86.1	87.58	0.74	39.18	2.0	2.1	6.8	0.0394	69	73
YX3-132M ₂ -6	5.5	7.5	975	12.7	12.1	11.7	87.4	88.90	0.75	53.87	2.0	2.1	7.1	0.0494	69	82
YX3-160M-6	7.5	10	980	16.4	15.6	15	89.0	89.51	0.78	73.09	2.1	2.1	6.7	0.0964	73	113
YX3-160L-6	11	15	980	23.5	22.3	21.5	90.0	90.11	0.79	107.19	2.1	2.1	6.9	0.127	73	134
YX3-180L-6	15	20	980	30.9	29.4	28.3	91.0	92.12	0.81	146.17	2.0	2.1	7.2	0.201	73	178
YX3-200L ₁ -6	18.5	25	985	37.9	36	34.7	91.5	92.02	0.81	179.36	2.1	2.1	7.2	0.325	73	226
YX3-200L ₂ -6	22	30	980	44.3	42.1	40.6	92.0	92.48	0.82	213.30	2.1	2.1	7.3	0.371	73	243
YX3-225M-6	30	40	985	60.8	57.8	55.7	92.5	93.37	0.81	290.80	2.0	2.1	7.1	0.533	74	294
YX3-250M-6	37	50	990	72.0	68.4	65.9	93.0	93.85	0.84	356.92	2.1	2.1	7.1	0.877	76	369
YX3-280S-6	45	60	990	85.0	80.8	77.9	93.5	94.03	0.86	434.09	2.1	2.0	7.2	1.85	78	513
YX3-280M-6	55	75	990	103.6	98.3	94.7	93.8	94.26	0.86	530.55	2.1	2.0	7.2	2.12	78	661
YX3-315S-6	75	100	995	142.3	134.9	130.0	94.2	94.49	0.85	719.85	2.0	2.0	6.7	2.61	83	856
YX3-315M-6	90	125	995	172.3	163.1	157.2	94.5	94.75	0.84	863.82	2.0	2.0	6.7	3.04	83	973
YX3-315L ₁ -6	110	150	995	207.0	196.4	189.3	95.0	95.11	0.85	1055.78	2.0	2.0	6.7	3.71	83	1029
YX3-315L ₂ -6	132	180	995	245.5	232.2	223.8	95.0	95.34	0.86	1266.93	2.0	2.0	6.7	4.24	83	1122
YX3-355M ₁ -6	160	220	995	294.1	277.6	267.6	95.0	94.93	0.87	1535.68	2.0	2.0	6.7	7.44	85	1638
YX3-355M ₂ -6	200	270	995	367.7	347.1	334.5	95.0	95.28	0.87	1919.60	2.0	2.0	6.7	9.10	85	1788
YX3-355L-6	250	340	995	459.6	433.9	418.2	95.0	95.33	0.87	2399.50	2.0	2.0	6.7	10.8	85	1931

技术参数 TECHNICAL DATA
SPEED 750RPM 8-POLE 50HZ

型号 Type	功率 Output		转速 Speed r/min	电流 In A			效率 Efficiency η %		功率因数 Power factor Cos Φ	额定转矩 TN Nm	堵转转矩	最大转矩	堵转电流	惯量 Moment (J) kgm ²	噪声 Noise LwdB(A)	重量 Weight kg
	kW	HP		380V	400V	415V	100%	75%			额定转矩	额定转矩	额定电流			
											Tst TN	Tmax TN	Ist IN			
YX3-90L-8	0.55	0.75	700	1.86	1.77	1.70	73.5	74.4	0.61	7.50	1.8	2.0	4.0	0.0053	54	31
YX3-100L1-8	0.75	1	700	2.31	2.20	2.1	73.5	75.8	0.67	10.23	1.8	2.0	4.0	0.0078	51	33
YX3-100L2-8	1.1	1.5	700	3.17	3.02	2.9	76.3	79.1	0.69	15.0	1.8	2.0	5.0	0.0107	51	38
YX3-112M-8	1.5	2	705	4.21	4.00	3.86	78.4	80.4	0.69	20.32	1.8	2.0	5.0	0.0162	52	52
YX3-132S-8	2.2	3	710	5.8	5.5	5.3	80.9	82.9	0.71	29.59	1.8	2.0	6.9	0.0331	69	58
YX3-132M-8	3	4	710	7.5	7.2	6.9	82.7	84.7	0.73	40.35	1.8	2.0	6.9	0.0440	69	68
YX3-160M1-8	4	5.5	715	9.9	9.4	9.0	84.2	85.7	0.73	53.42	1.9	2.0	6.9	0.0771	69	104
YX3-160M2-8	5.5	7.5	715	13.2	12.5	12.0	85.8	87.4	0.74	73.46	2.0	2.0	6.9	0.0989	69	114
YX3-160L-8	7.5	10	720	17.4	16.5	16.0	87.2	88.6	0.75	99.48	2.0	2.0	6.9	0.131	69	132
YX3-180L-8	11	15	730	24.8	23.5	22.7	88.8	89.0	0.76	143.90	2.0	2.0	6.8	0.214	73	176
YX3-200L-8	15	20	730	33.3	31.6	30.5	90.0	90.3	0.76	196.23	2.0	2.0	6.8	0.401	73	232
YX3-225S-8	18.5	25	735	40.8	38.7	37.3	90.7	90.7	0.76	240.37	1.9	2.0	6.8	0.529	73	268
YX3-225M-8	22	30	735	46.4	44.1	42.5	91.2	91.6	0.79	285.85	1.9	2.0	6.8	0.626	73	288
YX3-250M-8	30	40	735	62.6	59.5	57.4	92.1	91.8	0.79	389.80	1.9	2.0	6.8	0.914	75	372
YX3-280S-8	37	50	740	75.8	72	69.4	92.7	92.6	0.80	477.50	1.9	2.0	6.9	1.85	80	567
YX3-280M-8	45	60	740	91.7	87.1	84	93.2	93.6	0.80	580.74	1.9	2.0	6.9	2.22	80	651
YX3-315S-8	55	75	740	110.1	104.6	100.8	93.7	93.6	0.81	709.79	1.8	2.0	6.6	2.97	74	1000
YX3-315M-8	75	100	740	149	141.6	136.5	94.4	94.2	0.81	967.91	1.8	2.0	6.6	3.96	74	1100
YX3-315L1-8	90	125	740	176.1	167.3	161.2	94.7	94.6	0.82	1161.48	1.8	2.0	6.6	4.65	74	1160
YX3-315L2-8	110	150	740	214.3	203.6	196.2	95.1	94.8	0.82	1419.59	1.8	2.0	6.4	5.40	74	1230
YX3-355M1-8	132	180	740	251.8	239.2	230.5	95.4	95.5	0.835	1703.5	1.8	2.0	6.0	8.36	76	1700
YX3-355M2-8	160	220	740	302.4	287.3	276.9	95.7	95.6	0.84	2064.86	1.8	2.0	6.0	9.59	76	1750
YX3-355L-8	200	270	740	378	359.1	346.1	95.7	95.8	0.84	2581.08	1.8	2.0	6.0	11.3	76	1850

安装及外形尺寸 MOUNTING AND OVERALL DIMENSIONS

IM B3 H80-355

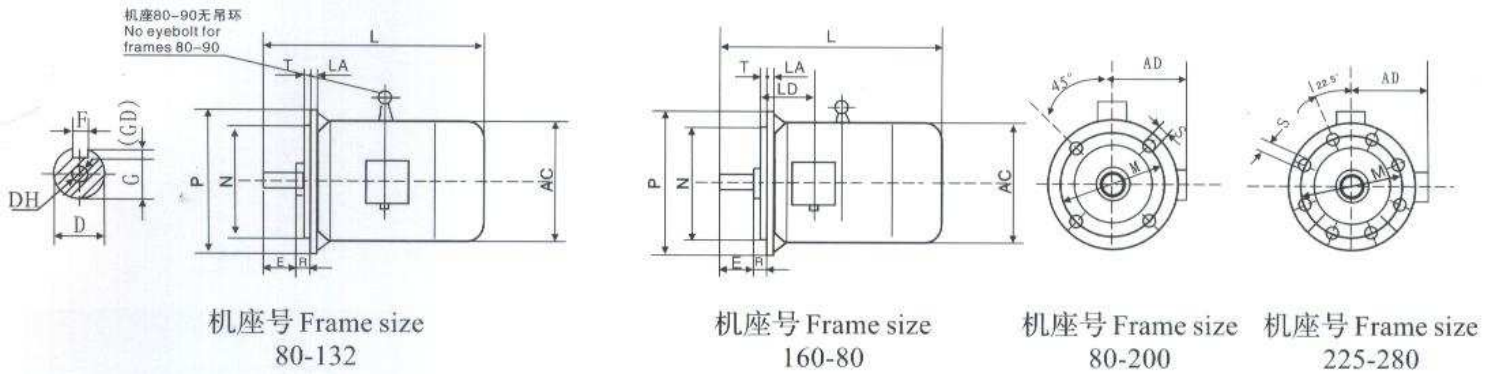


型号 Type	极数 Poles	尺寸 Dimensions in mm																		
		A	AA	B	C	D*	E	F	G	H	K	AB	AC	AD	HD	L	BB	HA	LD	(DH) *
80	2, 4, 6, 8	125	34	100	50	19	40	6	15.5	80	10	165	167	165	245	300	142	10	74	M6×16
90S	2, 4, 6, 8	140	36	100	56	24	50	8	20	90	10	180	190	175	265	355	180	12	76	M8×19
90L	2, 4, 6, 8	140	36	125	56	24	50	8	20	90	10	180	190	175	265	385	220	12	76	M8×19
100L	2, 4, 6, 8	160	40	140	63	28	60	8	24	100	12	205	215	200	290	435	233	14	83	M10×22
112M	2, 4, 6, 8	190	45	140	70	28	60	8	24	112	12	230	240	220	325	468	248	15	87	M10×22
132S	2, 4, 6, 8	216	55	140	89	38	80	10	33	132	12	270	275	240	365	510	230	18	102	M12×28
132M	2, 4, 6, 8	216	55	178	89	38	80	10	33	132	12	270	275	240	365	510	230	18	102	M12×28
160M	2	254	65	210	108	42	110	12	37	160	14.5	320	320	285	440	675	304	20	149	M16×36
160L	4, 6, 8	254	65	210	108	42	110	12	37	160	14.5	320	320	285	440	675	304	20	149	M16×36
160L	2	254	65	254	108	42	110	12	37	160	14.5	320	320	285	440	675	304	20	149	M16×36
160L	4, 6, 8	254	65	254	108	42	110	12	37	160	14.5	320	320	285	440	675	304	20	149	M16×36
180M	2	279	70	241	121	48	110	14	42.5	180	14.5	355	380	310	470	740	355	22	161	M16×36
180L	4, 6, 8	279	70	241	121	48	110	14	42.5	180	14.5	355	380	310	470	740	355	22	161	M16×36
180L	2	279	70	279	121	48	110	14	42.5	180	14.5	355	380	310	470	740	355	22	161	M16×36
180L	4, 6, 8	279	70	279	121	48	110	14	42.5	180	14.5	355	380	310	470	740	355	22	161	M16×36
200L	2	318	70	305	133	55	110	16	49	200	18.5	395	410	335	525	775	375	25	186	M20×42
200L	4, 6, 8	318	70	305	133	55	110	16	49	200	18.5	395	410	335	525	775	375	25	186	M20×42
225S	4, 8	356	75	286	149	60	140	18	53	225	18.5	435	470	370	580	820	370	28	189	M20×42
225M	2	356	75	311	149	55	110	16	49	225	18.5	435	470	370	580	815	395	28	189	M20×42
225M	4, 6, 8	356	75	311	149	60	140	18	53	225	18.5	435	470	370	580	845	395	28	189	M20×42
250M	2	406	80	349	168	60	140	18	53	250	24	490	490	380	635	930	445	30	207	M20×42
250M	4, 6, 8	406	80	349	168	65	140	18	58	250	24	490	490	380	635	930	445	30	207	M20×42
280S	2	457	85	368	190	65	140	18	58	280	24	550	580	410	698	981	490	35	215	M20×42
280S	4, 6, 8	457	85	368	190	75	140	20	67.5	280	24	550	580	410	698	981	490	35	215	M20×42
280M	2	457	85	419	190	65	140	18	58	280	24	550	580	410	698	1032	540	35	215	M20×42
280M	4, 6, 8	457	85	419	190	75	140	20	67.5	280	24	550	580	410	698	1032	540	35	215	M20×42
315S	2	508	120	406	216	65	140	18	58	315	28	630	645	535	885	1185	570	45	257	M20×42
315S	4, 6, 8, 10	508	120	406	216	80	170	22	71	315	28	630	645	535	885	1215	570	45	257	M20×42
315M	2	508	120	457	216	65	140	18	58	315	28	630	645	535	885	1295	680	45	257	M20×42
315M	4, 6, 8, 10	508	120	457	216	80	170	22	71	315	28	630	645	535	885	1325	680	45	257	M20×42
315L	2	508	120	508	216	65	140	18	58	315	28	630	645	535	885	1295	680	45	257	M20×42
315L	4, 6, 8, 10	508	120	508	216	80	170	22	71	315	28	630	645	535	885	1325	680	45	257	M20×42
355M	2	610	120	560	254	75	140	20	67.5	355	28	730	720	650	1065	1495	760	52	284	M20×42
355M	4, 6, 8, 10	610	120	560	254	95	170	25	86	355	28	730	720	650	1065	1525	760	52	284	M24×47
355L	2	610	120	630	254	75	140	20	67.5	355	28	730	720	650	1065	1495	760	52	284	M20×42
355L	4, 6, 8, 10	610	120	630	254	95	170	25	86	355	28	730	720	650	1065	1525	760	52	284	M24×47

注: 1) DH尺寸只有出口电机要求, 国内用户应按订货要求进行配制。
2) D尺寸公差: $\phi 19-28$ 为j6; $\phi 38-48$ 为K6; $\phi 55-80$ 为m6; $\phi 95$ 为m6。
Notes: 1) DH dimension is only required for exported motor. For domestic customers, it should be prepared according to the order requirement. 2) Tolerance for D dimension: j6 for $\phi 19-28$; K6 for $\phi 38-48$; m6 for $\phi 55-80$; m6 for $\phi 95$.

安装及外形尺寸
MOUNTING AND OVERALL DIMENSIONS

IMB5 H80-280



型号 Type	凸缘号 Flange NO.	极数 Poles	安装尺寸 Dimensions in mm															
			D*	E	F	G	M	N*	P	S	T	凸缘孔数 Flange holes	AC	L	LD	LA	(DH)*	R
80	FF165	2, 4, 6, 8,	19	40	6	15.5	165	130	200	12	3.5	4	167	300	74	12	M6×16	0
90S	FF165	2, 4, 6, 8,	24	50	8	20	165	130	200	12	3.5	4	190	355	76.0	12	M8×19	0
90L	FF165	2, 4, 6, 8,	24	50	8	20	165	130	200	12	3.5	4	190	385	76.0	12	M8×19	0
100L	FF215	2, 4, 6, 8,	28	60	8	24	215	180	250	14.5	4	4	215	435	83	13	M10×22	0
112M	FF215	2, 4, 6, 8,	28	60	8	24	215	180	250	14.5	4	4	240	468	87	14	M10×22	0
132S	FF265	2, 4, 6, 8,	38	80	10	33	265	230	300	14.5	4	4	275	510	102	14	M12×28	0
132M	FF265	2, 4, 6, 8,	38	80	10	33	265	230	300	14.5	4	4	275	510	102	14	M12×28	0
160M	FF300	2, 4, 6, 8,	42	110	12	37	300	250	350	18.5	5	4	320	675	149	15	M16×36	0
160L	FF300	2, 4, 6, 8,	42	110	12	37	300	250	350	18.5	5	4	320	675	149	15	M16×36	0
180M	FF300	2, 4, 6, 8,	48	110	14	42.5	300	250	350	18.5	5	4	380	740	161	15	M16×36	0
180L	FF300	2, 4, 6, 8,	48	110	14	42.5	300	250	350	18.5	5	4	380	740	161	15	M16×36	0
200L	FF350	2, 4, 6, 8,	55	110	16	49	350	300	400	18.5	5	4	410	775	186	17	M20×42	0
225S	FF400	4, 6, 8	60	140	18	53	400	350	450	18.5	5	8	470	820	189	20	M20×42	0
225M	FF400	2	55	110	16	49	400	350	450	18.5	5	8	470	815	189	20	M20×42	0
	FF400	4, 6, 8	60	140	18	53	400	350	450	18.5	5	8	470	845	207	20	M20×42	0
250M	FF500	2	60	140	18	53	500	450	550	18.5	5	8	490	930	207	22	M20×42	0
	FF500	4, 6, 8	65	140	18	58	500	450	550	18.5	5	8	490	930	215	22	M20×42	0
280S	FF500	2	65	140	18	58	500	450	550	18.5	5	8	580	981	215	22	M20×42	0
	FF500	4, 6, 8	75	140	20	67.5	500	450	550	18.5	5	8	580	981	215	22	M20×42	0
280M	FF500	2	65	140	18	58	500	450	550	18.5	5	8	580	1032	215	22	M20×42	0
	FF500	4, 6, 8	75	140	20	67.5	500	450	550	18.5	5	8	580	1032	215	22	M20×42	0

注：1) R是法兰安装面至辅肩的距离。2) DH尺寸只有出口电机要求，国内用户应按订货要求进行配制。

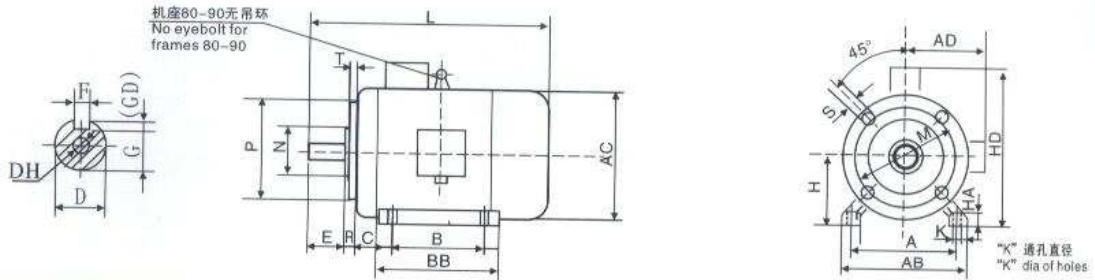
3) D尺寸公差：φ19-28为j6；φ38-48为K6；φ55-80为m6；φ95为m6。4) N尺寸公差为j6。

Notes: 1) R means the distance from flange mounting interface surface to auxiliary shoulder. 2) DH dimension is only required for exported motor. For domestic customers, it should be prepared according to the order requirement.

3) Tolerance for D dimension: j6 for φ19-28; k6 for φ38-48; m6 for φ55-80; m6 for φ95. 4) Tolerance for N dimension is j6.

安装及外形尺寸
MOUNTING AND OVERALL DIMENSIONS

IM B34 H80-112

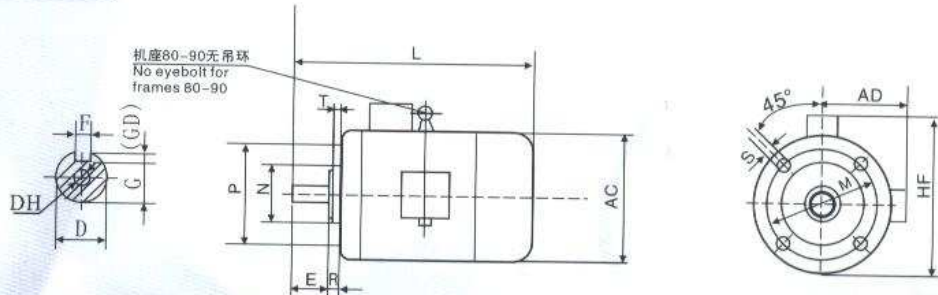


机座号 Frame Size	极数 Poles	安装尺寸 Mounting dimensions															凸缘孔数 Flange holes	外形尺寸 overall dimensions					
		A	B	C	D*	E	F	G	H	K	M	N*	P	R	S	T		AB	AC	AD	HD	L	(DH)*
Y2-80	2, 4, 6, 8	125	100	50	19	40	6	15.5	80	10	100	80	120	0	M6	3.0	4	165	167	165	245	300	M6×16
Y2-90S	2, 4, 6, 8	140	100	56	24	50	8	20	90	10	115	95	140	0	M8	3.0	4	180	190	175	250	355	M8×19
Y2-90L	2, 4, 6, 8	140	125	56	24	50	8	20	90	10	115	95	140	0	M8	3.0	4	180	190	175	250	385	M8×19
Y2-100L	2, 4, 6, 8	160	140	63	28	60	8	24	100	12	130	110	160	0	M8	3.5	4	205	215	200	270	435	M10×22
Y2-112M	2, 4, 6, 8	190	140	70	28	60	8	24	112	12	130	110	160	0	M8	3.5	4	230	240	220	325	468	M10×22

注: N尺寸公差为j6。 Notes: Tolerance for N dimension is j6.

安装及外形尺寸
MOUNTING AND OVERALL DIMENSIONS

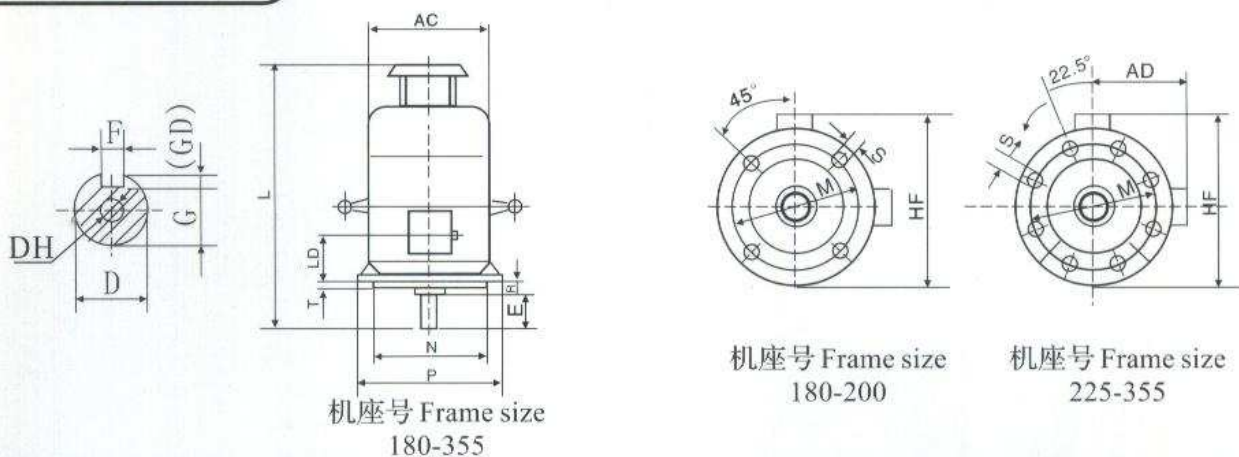
IM B14 H80-112



机座号 Frame Size	极数 Poles	安装尺寸 Mounting dimensions											凸缘孔数 Flange holes	外形尺寸 overall dimensions				
		D*	E	F	G	P	M	N	R	S	T	AD		AC	HF	L	(DH)*	
Y2-80	2, 4, 6, 8	19	40	6	15.5	120	100	80	0	M6	3.0	4	165	167	230	300	M6×16	
Y2-90S	2, 4, 6, 8	24	50	8	20	140	115	95	0	M8	3.0	4	175	190	245	355	M8×19	
Y2-90L	2, 4, 6, 8	24	50	8	20	140	115	95	0	M8	3.0	4	175	190	245	385	M8×19	
Y2-100L	2, 4, 6, 8	28	60	8	24	160	130	110	0	M8	3.5	4	200	215	285	435	M10×22	
Y2-112M	2, 4, 6, 8	28	60	8	24	160	130	110	0	M8	3.5	4	220	240	320	468	M10×22	

安装及外形尺寸
MOUNTING AND OVERALL DIMENSIONS

IMV1 H180-355



机座号 Frame Size	极数 Poles	安装尺寸 Mounting Dimensions										凸缘孔数 Flange holes	外形尺寸 Overall Dimensions				
		D*	E	F	G	M	N*	P	R	S	T		AC	AD	HF	L	(DH)*
Y2-180M	2, 4, 6, 8	48	110	14	42.5	300	250	350	0	18.5	5	4	380	310	500	800	M16×36
Y2-180L	2, 4, 6, 8	48	110	14	42.5	300	250	350	0	18.5	5	4	380	310	500	800	M16×36
Y2-200L	4, 6, 8	55	110	16	49.0	350	300	400	0	18.5	5	4	410	335	540	845	M20×42
Y2-225S	4, 6, 8	60	140	18	53.0	400	350	450	0	18.5	5	8	470	370	605	915	M20×42
Y2-225M	2	55		16	49.0			450								910	
	4, 6, 8	60	140	18	53.0	400	350	450	0	18.5	5	8	470	370	605	940	M20×42
Y2-250M	2	60		18	53.0												
	4, 6, 8	65	140	18	58.0	500	450	550	0	18.5	5	8	490	380	630	1035	M20×42
Y2-280S	2	65		18	58.0												
	4, 6, 8	75	140	20	67.5	500	450	550	0	18.5	5	8	580	410	700	1115	M20×42
Y2-280M	2	65		18	58.0												
	4, 6, 8	75	140	20	67.5	500	450	550	0	18.5	5	8	580	410	700	1157	M20×42
Y2-315S	2	65	140	18	58.0												1310
	4, 6, 8, 10	80	170	22	71.0	600	550	660	0	24	6	8	645	535	858	1340	M20×42
Y2-315M	2	65	140	18	58.0												1425
	4, 6, 8, 10	80	170	22	71.0	600	550	660	0	24	6	8	645	535	858	1450	M20×42
Y2-315L	2	65	140	18	58.0												1425
	4, 6, 8, 10	80	170	22	71.0	600	550	660	0	24	6	8	645	535	858	1450	M20×42
Y2-355M	2	75	140	20	67.5												1640
	4, 6, 8, 10	95	170	25	86.0	740	680	800	0	24	6	8	720	650	1010	1670	M24×47
Y2-355L	2	75	140	20	67.5												1640
	4, 6, 8, 10	95	170	25	86.0	740	680	800	0	24	6	8	720	650	1010	1670	M24×47

注：1) DH尺寸只有出口电机要求，国内用户应按订货要求进行配制。

2) D尺寸公差： $\phi 19-28$ 为j6； $\phi 38-48$ 为K6； $\phi 55-80$ 为m6； $\phi 95$ 为m6。3) N尺寸公差为j6。

Notes: 1) DH dimension is only required for exported motor. For domestic customers, it should be prepared according to the order requirement. 2) Tolerance for D dimension: j6 for $\phi 19-28$; K6 for $\phi 38-48$; m6 for $\phi 55-80$; m6 for $\phi 95$.

3) Tolerance for N dimension is j6.

订货须知：INSTRUCTIONS TO BUYERS:

1) 本样本所提供的数据仅供用户参考，具体数据允许有变动，订货前请惠予联系。

The technical data given in this catalogue are for reference only and subject to alterations. Before ordering, please contact us.

2) 订货时请注明所需电动机产品型号、功率、同步转速、电压、频率和安装结构形式等。

The following specifications are provided for the order: motor type, output, synchronous speed, voltage, frequency and mounting arrangement etc.

此样本所有参数仅作参考选型用，如有变更，恕不奉告。

大中电机 走向世界的品牌

Da Zhong Motor

A brand tends towards World



®

江苏大中电机股份有限公司
JIANGSU DAZHONG ELECTRIC MOTOR CO.,LTD

厂址：中国江苏省靖江市季市西路39[#]

电话：0086-523-84542453 84542326 84542309

传真：0086-523-84542280 84542257

邮编：214523

网址：www.dzem-china.com

ADD:NO.39,JISHI(WEST)ROAD,JINJIANG,JIANGSU CHINA

TEL:0086-523-84542453 84542326 84542309

FAX:0086-523-84542280 84542257

POST CODE:214523

<http://www.dzem-china.com>